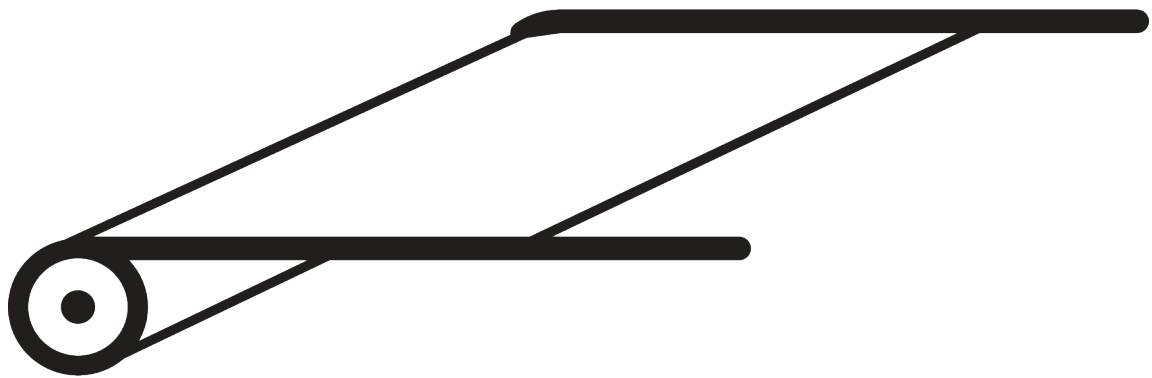


SKYLIGHT SHADING SYSTEMS



GENERAL NOTES

Dimensions

- Measurements are in mm except where indicated.
- Max. kg relates to fabric incl. accessories (cross rods, etc.).
- Stack size depends on fabric make-up where applicable.





Fitting

- Installation by qualified fitter only.
- Number of brackets and fitting positions / fixing points vary depending on fitting surface, system weight, fabric make-up, screw / fixing type and obstacles.
- Qualified fitter must use appropriate screws / fixings for each situation.
- Electrical installations must be carried out according to Silent Gliss wiring diagrams and conform to local regulations.
- Check space for cables and plugs!

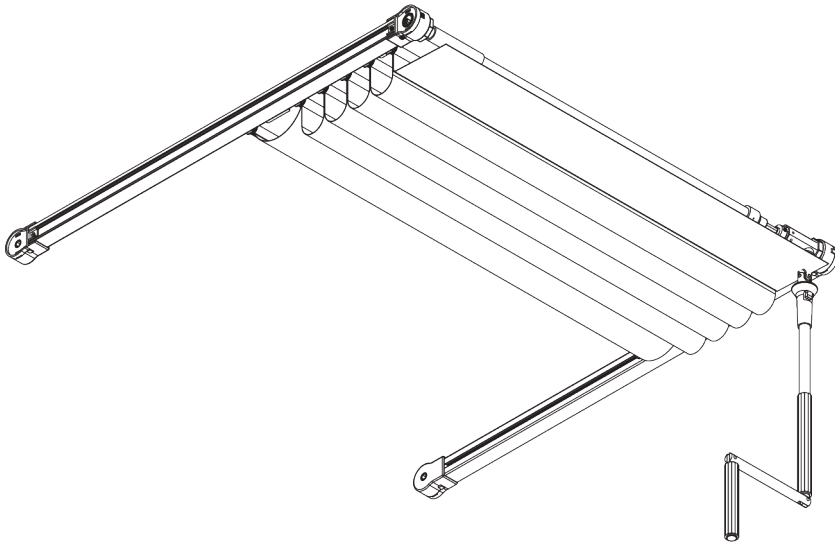
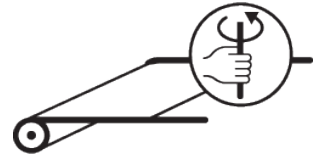
Child Safety

- All relevant Silent Gliss systems correspond to child safety EN 13120.
- All parties involved must comply with EN 13120.

APPLICATION CHART

<u>PAGE</u>	<u>SYSTEM</u>	<u>OPERATION</u>	<u>DIMENSION</u>	← max. →	↑ max. ↓	kg _{max.}
5	SG 2190		S - M	2.5 m	6 m	15 kg
11	SG 2195		S - L	3 m	6 m	25 kg
21	SG 8600		M - L	4 m	6.5 m	
29	SG 8640		S - L	3 m	4.5 m	

SG 2190



PRODUCT INFORMATION

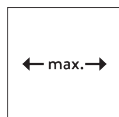
- **Operation:** crank
- **Range:** S - M
- **Fitting:** ceiling, wall
- **Colours:** white RAL 9016 or anodised aluminum, special colours possible
- **Fabrics:** refer to Silent Gliss fabric collection

Features:

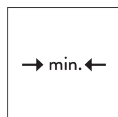
- Bendable
- Sloping
- Two connected systems

SYSTEM SPECIFICATIONS

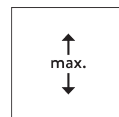
A. SYSTEM DIMENSIONS



2.5 m



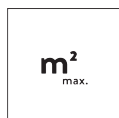
60 cm



6 m



15 kg



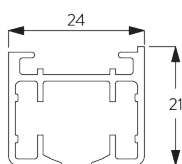
15 m²

Max. system sizes and weights

SG 2190		kg _{max.}	A	B	SG 2190		kg _{max.}	A	B
		15	1.8 m	6 m			15	2 m	5 m
		15	1.8 m	6 m			15	2 m	5 m
		15	2 m	5 m			15	2 m	5 m
		15	2 m	5 m			15	2 m	4 m
		15	2.5 m	6 m			15	2 m	4 m
		15	3 m	6 m			15	2 m	4 m

B. PROFILE

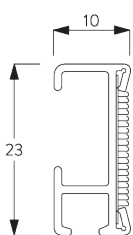
Profile and bending information



SG 2191

Profile

Radius: >25 cm



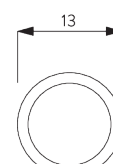
SG 2116

Velcro profile



SG 2156

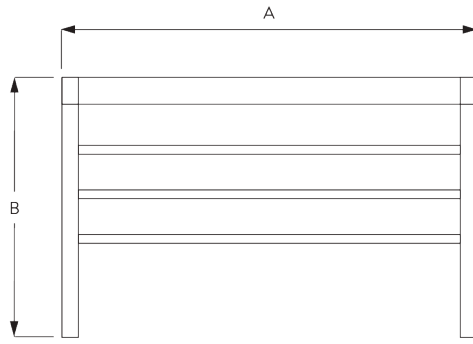
Shaft



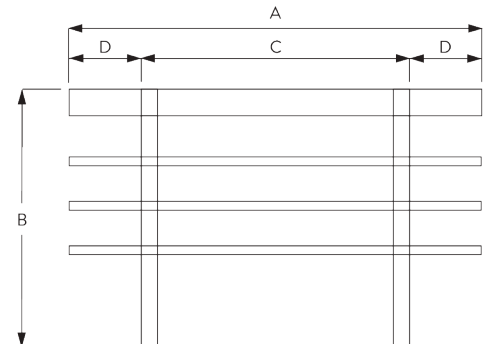
SG 2759

Profile

C. HOW TO MEASURE



A: System width
B: System height



A: System width
B: System height
C: Base system
D: Cantilever max. 80 cm

D. SPECIFICATION TEXT

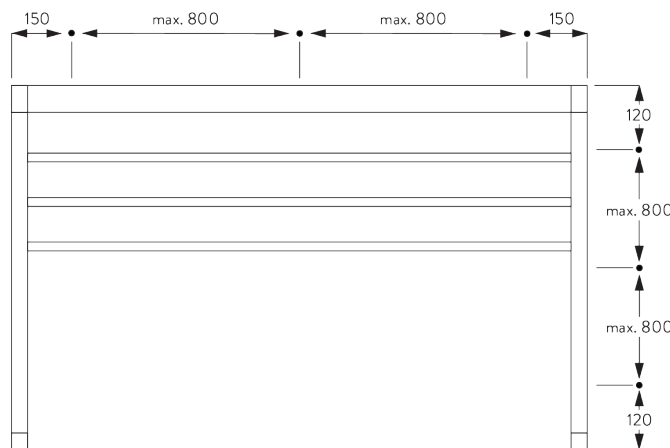
Silent Gliss SG 2190 Crank Handle Operated Skylight System. Supplied made to measure and complete comprising drive shaft SG 2156, detachable crank handle SG 2746, hexagonal bar SG 2111, glider SG 2145, heavy duty cross rod SG 2248, cross rod SG 2759, velcro profile SG 2116, connector SG 2242, top fix bracket SG 3603, aluminium side guide profiles SG 2191 in silver / white / black side fixed with SG 3825 clamps at 30cm centres. Optional fixing brackets SG 3065B / SG 3066A / SG3066B. Left- or right-hand operation. Can be single or double system operated from single crank handle. Fabric to be chosen from the Silent Gliss fabric range relevant for this product type.

FITTING

A. FITTING INFORMATION

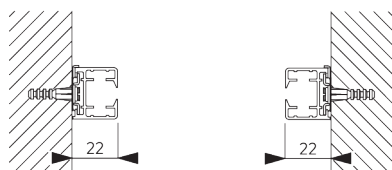
For detailed fitting information, visit the Silent Gliss website.

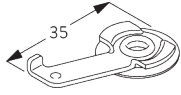
Fixing points



B. INSIDE FITTING

Clamp SG 3825



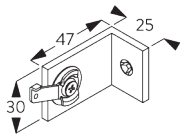
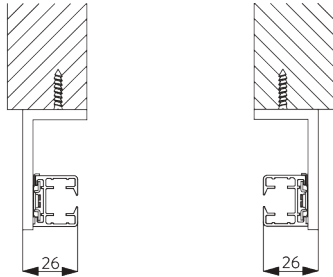


SG 3825

Clamp

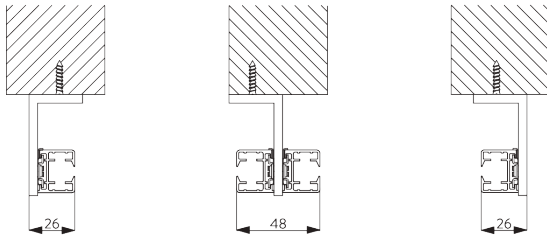
C. FACE FITTING

Bracket SG 3181

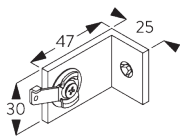


SG 3181

Bracket with 1 clamp



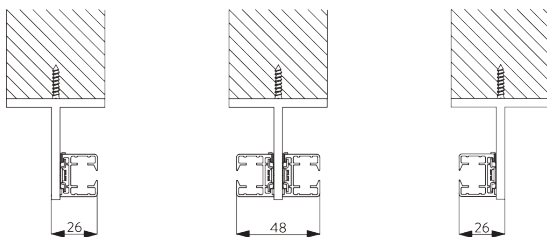
Double system

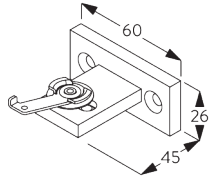


SG 3181

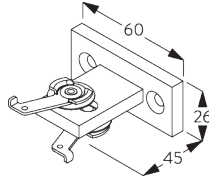
Bracket with 1 clamp

T-Bracket SG 2138 / SG 2139





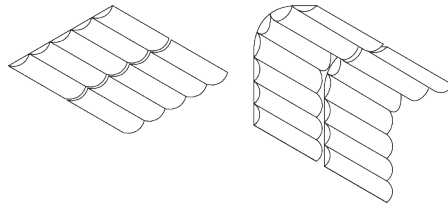
SG 2138
T-bracket 1 clamp



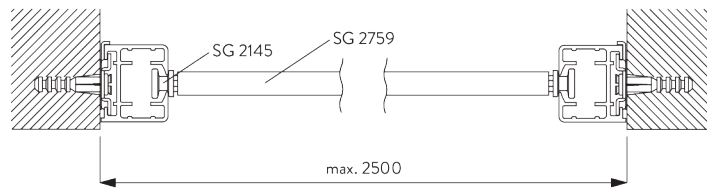
SG 2139
T-bracket 2 clamps

SYSTEM OPTIONS

A. TWO CONNECTED SYSTEMS

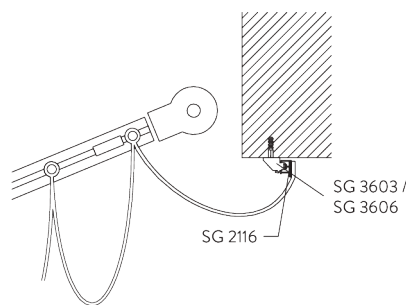


B. INSTALLATION OPTIONS



- SG 2145: Glider
- SG 2759: Profile

C. FABRIC FIXING



Fixing of fabric with profile SG 2116

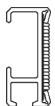
PARTS

A. STANDARD PARTS



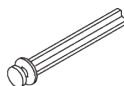
SG 2111

Shaft



SG 2116

Velcro profile



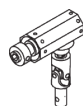
SG 2145

Glider



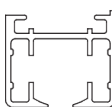
SG 2156

Shaft



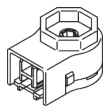
SG 2189

Crank drive



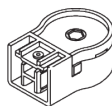
SG 2191

Profile



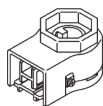
SG 2192

Drive



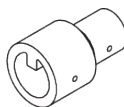
SG 2193

Guide return



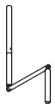
SG 2230

Drive



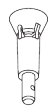
SG 2244

Connector



SG 2747

Crank handle



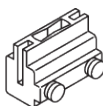
SG 2754

Detachable crank hood



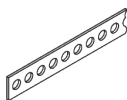
SG 3825

Clamp



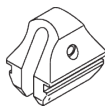
SG 5005

Belt connector



SG 5130

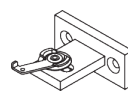
Driving belt



SG 6086

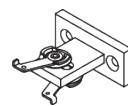
Spring stop

B. OPTIONAL PARTS



SG 2138

T-bracket 1 clamp



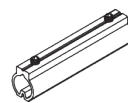
SG 2139

T-bracket 2 clamps



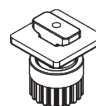
SG 2176

Crank drive



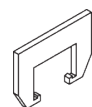
SG 2242

Connector



SG 2255

Brake



SG 2613

Connector



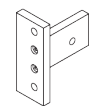
SG 2742

Crank joint



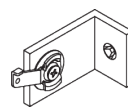
SG 2745

Crank handle with joint



SG 3066

T-Bracket



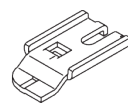
SG 3181

Bracket with 1 clamp



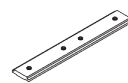
SG 3606

Clip



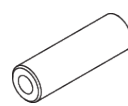
SG 3832

Bracket



SG 5115

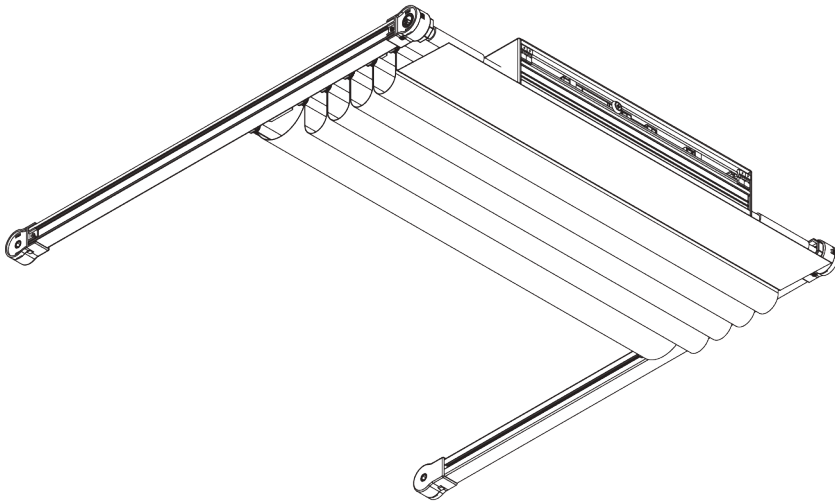
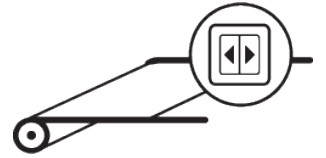
Connection bridge



SG 6796

Spring pin 4x12 DIN 1481

SG 2195



PRODUCT INFORMATION

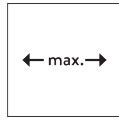
- **Operation:** motorised
- **Range:** S - L
- **Fitting:** ceiling, wall, recess
- **Colours:** white RAL 9016 or anodised aluminum, special colours possible
- **Fabrics:** refer to Silent Gliss fabric collection

Features:

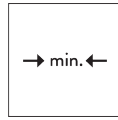
- Bendable
- Sloping
- Three connected systems
- Various control options

SYSTEM SPECIFICATIONS

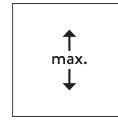
A. SYSTEM DIMENSIONS



3 m



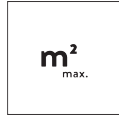
60 cm



6 m



25 kg



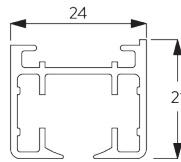
15 m²

Max. system sizes and weights

SG 2195		kg max.	A	B	SG 2195		kg max.	A	B
		18	3 m	6 m			18	3 m	6 m
		18	6 m	6 m			18	6 m	6 m
		18	6 m	5 m			18	6 m	6 m
		25	3 m	6 m			18	3 m	6 m
		25	6 m	6 m			18	6 m	5 m
		25	6 m	6 m			18	6 m	5 m
		25	3 m	6 m			10	3 m	4 m
		25	6 m	6 m			10	6 m	4 m
		25	6 m	6 m			10	6 m	3 m

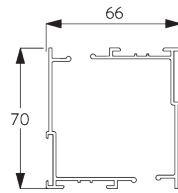
B. PROFILE

Profile and bending information



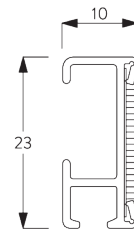
SG 2191

Profile



SG 2151

Profile



SG 2116

Velcro profile

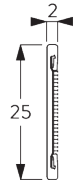


SG 2156

Shaft



Radius:
>25 cm



SG 2510

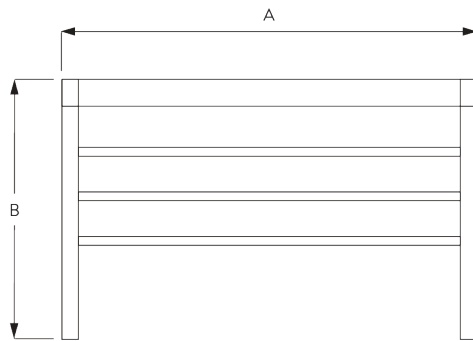
Velcro profile



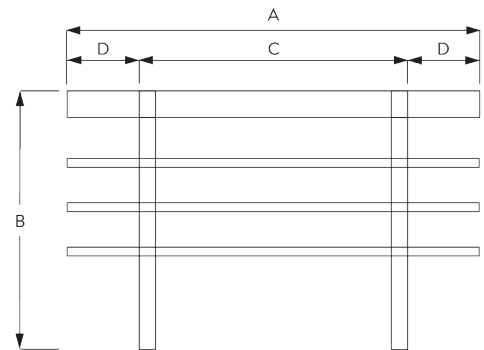
SG 2759

Profile

C. HOW TO MEASURE



A: System width
B: System height



A: System width
B: System height
C: Base system
D: Cantilever max. 80 cm

D. SPECIFICATION TEXT

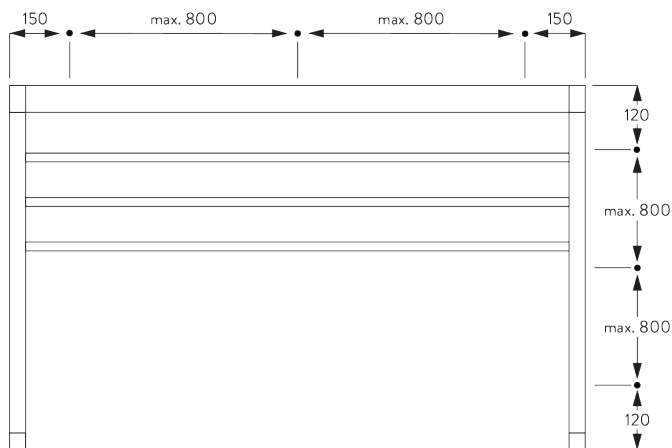
Silent Gliss SG 2195 Electrically Operated Skylight System. Supplied made to measure and complete comprising aluminium headbox SG 2151 with enclosed motor SG 2160 complete with drive shaft SG 2156, clamps SG 3004, aluminium side guide profiles SG 2191 in silver / white / black side fixed with SG 3825 clamps at 30cm centres, glider SG 2145, heavy duty cross rod SG 2248, cross rod SG 2759, velcro profile SG 2116, connector SG 2242, top fix bracket SG 3603, optional fixing brackets SG 3065B / SG 3066A / SG3066B. Can be single, double or triple operation from one motor controlled by fixed switch / third party control system subject to suitable interface by others party / SG Control L / SG Control R radio control systems via external receiver. All radio control components supplied at additional cost. All wiring to be strictly in accordance with Silent Gliss wiring diagrams. Fabric to be chosen from the Silent Gliss fabric range relevant to this product group.

FITTING

A. FITTING INFORMATION

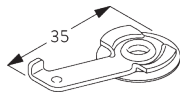
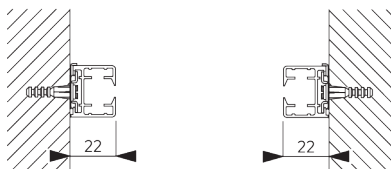
For detailed fitting information, visit the [Silent Gliss website](#).

Fixing points



B. INSIDE FITTING

Clamp SG 3825

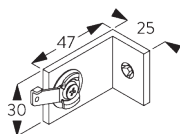
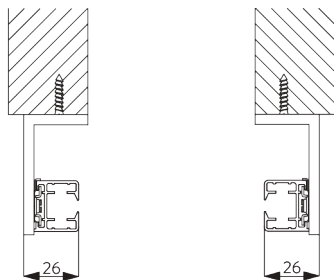


SG 3825

Clamp

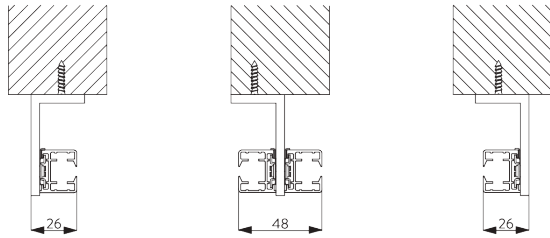
C. FACE FITTING

Bracket SG 3181

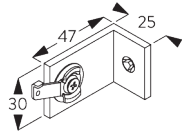


SG 3181

Bracket with 1 clamp



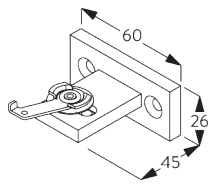
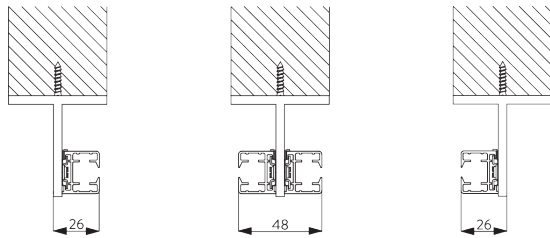
Double system



SG 3181

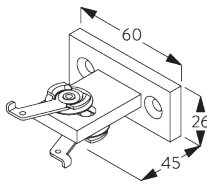
Bracket with 1 clamp

T-Bracket SG 2138 / SG 2139



SG 2138

T-bracket 1 clamp

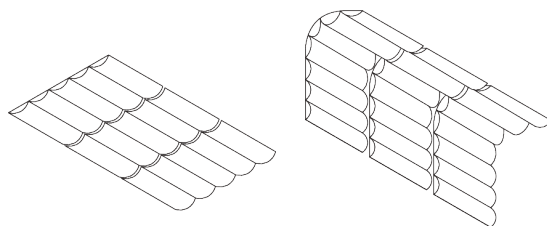


SG 2139

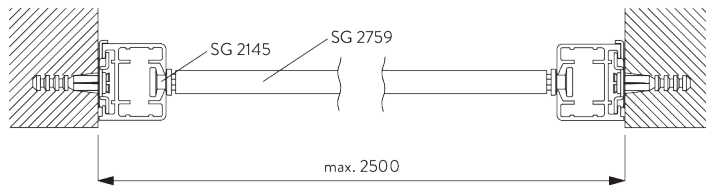
T-bracket 2 clamps

SYSTEM OPTIONS

**A. THREE
CONNECTED
SYSTEMS**

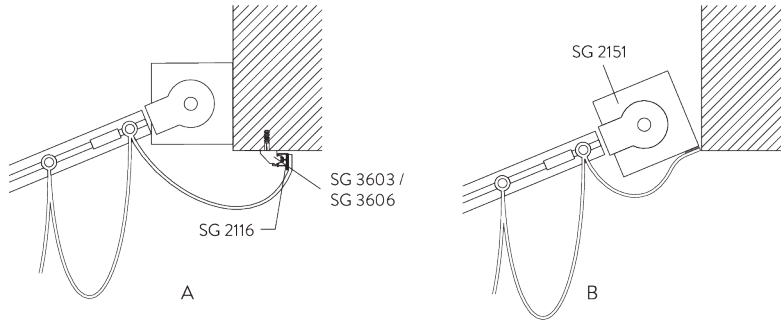


B. INSTALLATION OPTIONS



- SG 2145: Glider
- SG 2759: Profile

C. FABRIC FIXING



- A: Fixing of fabric with profile SG 2116 (standard)
- B: Fixing of fabric directly on headrail cassette

MOTOR & CONTROLS

A. MOTOR FEATURES

Motors	SG 2160	SG 11328
Motor Features		
Mechanical end-stop	●	●
Mechanical revolution counter (limited revolution)	●	●
Noiseless stop	●	●
IP class	IP 44	IP 44
Control Features		
Mains power control	●	●
SG Control L (external receiver required)	●	●
SG Control R (external receiver required)	●	●
Suitable for most major home automation systems (with suitable interface)	●	●

B. MOTOR SPECIFICATIONS

Motors	Voltage	Current	Frequency	Speed
SG 2160	230 V AC	0.5 A	50 Hz	26 rpm
SG 11328	120 V AC	1.3 A	60 Hz	30 rpm

**C. OPERATING
METHODS**

See catalogue "controls" for details.

Wall Switch



System can be operated by fixed wall switch.

SG Control L



Various radio hand-held and wall transmitters available.
An external receiver is required.



Silent Gliss Move App.

SG Control R



Various radio hand-held and wall transmitters available.
An external receiver is required.

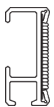
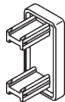
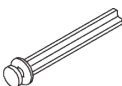
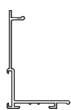
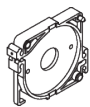
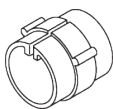


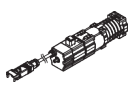
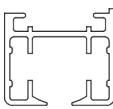
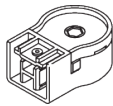
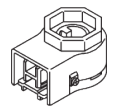
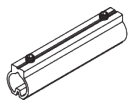
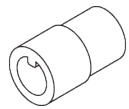
**D. WIRING
DIAGRAMS**

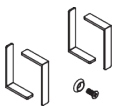

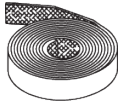
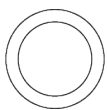

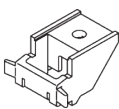
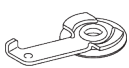
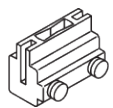
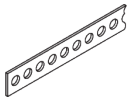
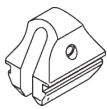
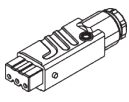


Refer to Silent Gliss website.

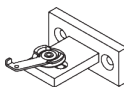
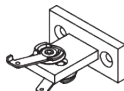
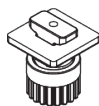

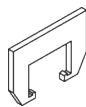
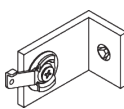

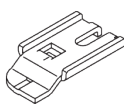
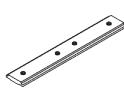

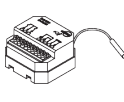
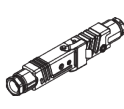
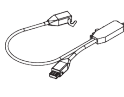
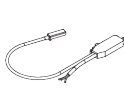
PARTS

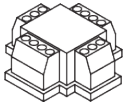
A. STANDARD PARTS

	SG 2116 Velcro profile
	SG 2131 End cover
	SG 2145 Glider
	SG 2151 Profile
	SG 2152 Bearing shell
	SG 2153 Pulley
	SG 2154 End cover
	SG 2156 Shaft
	SG 2160 Motor 230V AC, JA 06/26 soft
	SG 2191 Profile
	SG 2193 Guide return
	SG 2230 Drive
	SG 2242 Connector
	SG 2245 Shaft connector

	SG 2247 Set Elero 230V
	SG 2248 Profile
	SG 2539 Tape
	SG 2759 Profile
	SG 3004 Clamp
	SG 3603 Bracket
	SG 3825 Clamp
	SG 5005 Belt connector
	SG 5130 Driving belt
	SG 6086 Spring stop
	SG 9917 Hirschmann portable socket-outlet STAK 3 N

B. OPTIONAL PARTS

	SG 2138 T-bracket 1 clamp
	SG 2139 T-bracket 2 clamps
	SG 2255 Brake
	SG 2510 Velcro profile
	SG 2613 Connector
	SG 3181 Bracket with 1 clamp
	SG 3606 Clip
	SG 3832 Bracket
	SG 5115 Connection bridge
	SG 5736 Relay socket
	SG 9068 Radio receiver Revio
	SG 9916 Hirschmann plug set
	SG 9944 Radio receiver 1 channel
	SG 9945 Radio receiver 1 channel



SG 9959

Central control unit relay



SG 10300

Radio hand held 1 channel



SG 10302

Radio hand held 5+1 channel



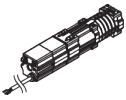
SG 10303

Radio hand held 10+2+1 channel



SG 10804

Radio hand held 15+5+1 channel



SG 11328

Motor 120V AC, JA 08/30 soft, UL



SG 11480

Radio wall transmitter 1 channel



SG 11490

Radio wall transmitter 5+1 channel



SG 20336

Hand held transmitter 8 channel



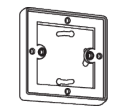
SG 20913

Wall switch single channel



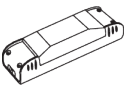
SG 20914

Wall switch 8 channel



SG 20917

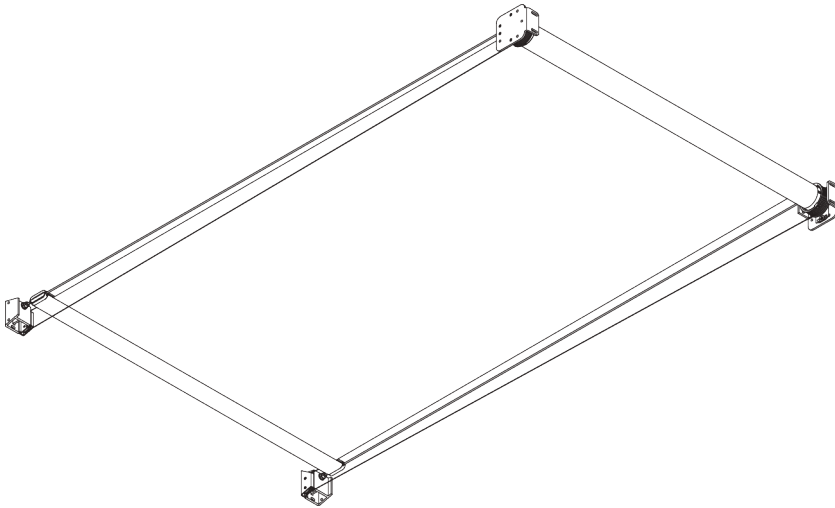
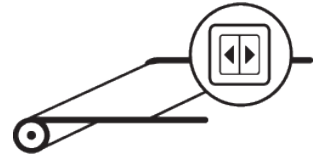
Pattress box



SG 20919

Control module motor type R

SG 8600



PRODUCT INFORMATION

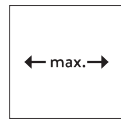
- **Operation:** motorised
- **Range:** M - L
- **Fitting:** ceiling, wall
- **Colours:** white RAL 9016; special colours or anodised aluminum possible
- **Fabrics:** refer to Silent Gliss fabric collection

Features:

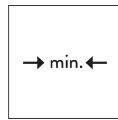
- Tensioned roller blind
- Various control options
- Any angle

SYSTEM SPECIFICATIONS

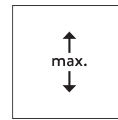
A. SYSTEM DIMENSIONS



4 m



M: 87 cm
L: 108 cm



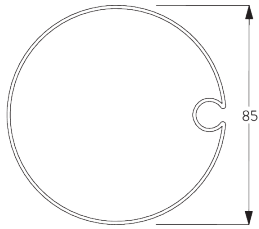
M: 3 m
L: 6.5 m



18 m²

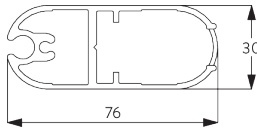
B. PROFILE

Profile information



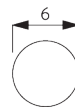
SG 8601

Tube ø 85 mm



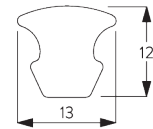
SG 8602

Bottom bar



SG 8618

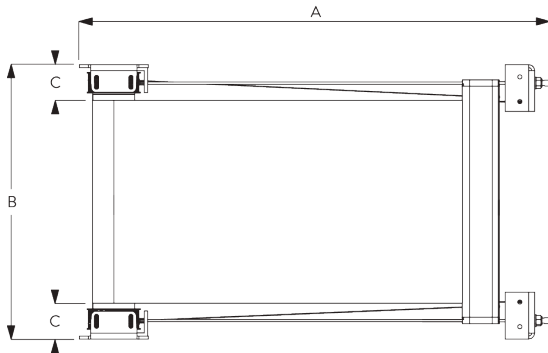
Fabric rod ø 6 mm



SG 8626

Cover strip

C. HOW TO MEASURE



A: System length

B: System width

C: Light gap: 75 mm

Pulling force per bracket: approx. 100 kg

D. SPECIFICATION TEXT

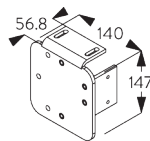
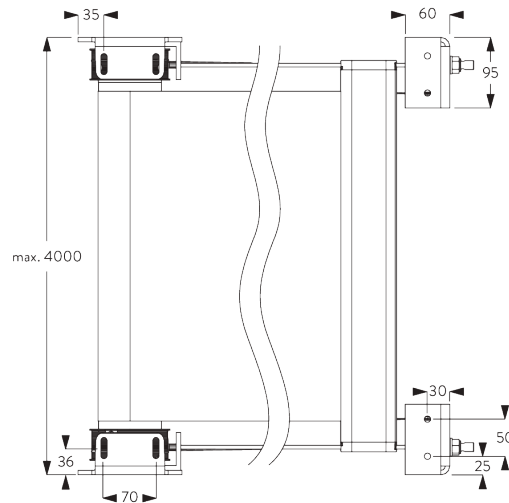
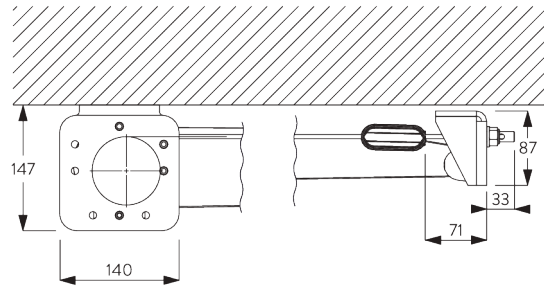
Silent Gliss SG 8600 Electrically Operated Tensioned Roller Blind System. Supplied made to measure and complete comprising (key components) aluminium barrel SG 8601, motor SG 8605, tension wire SG 8619, spring set SG 8603 / SG 8605, hem bar profile SG 8602, ceiling fit brackets set SG 8606-8607-8608-8609 / wall fit bracket set SG 8611-8612-8613. Can be controlled by fixed switch / third party control system subject to suitable interface by others / SG Control L / SG Control R radio control systems via external receiver. All radio control components supplied at additional cost. All wiring to be strictly in accordance with Silent Gliss wiring diagrams. Fabric to be chosen from the Silent Gliss fabric range, Price Group 1 / price group 2.

FITTING

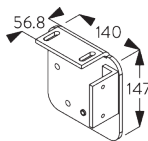
A. FITTING INFORMATION

For detailed fitting information, visit the Silent Gliss website.

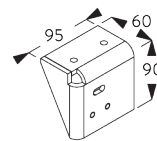
B. CEILING FITTING



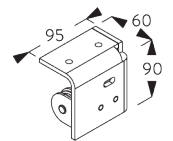
SG 8606
Roller bracket ceiling left



SG 8607
Roller bracket ceiling right

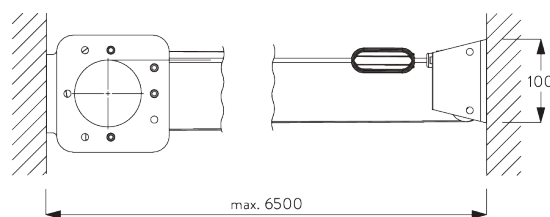


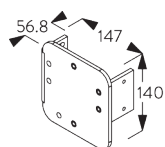
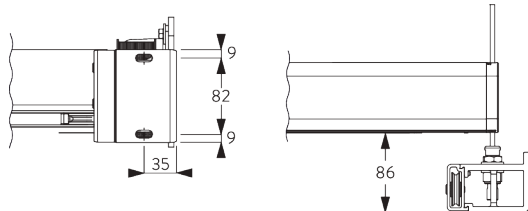
SG 8608
Pulley bracket ceiling left



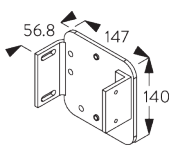
SG 8609
Pulley bracket ceiling right

C. WALL FITTING

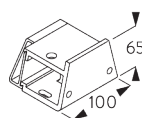




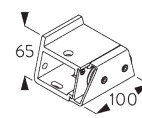
SG 8611
Roller bracket wall left



SG 8612
Roller bracket wall right



SG 8621
Pulley bracket side/back left



SG 8622
Pulley bracket side/back right

MOTORS & CONTROLS

A. MOTOR FEATURES

Motors	SG 8605	SG 8627
Motor Features		
Mechanical end-stop	●	●
Mechanical revolution counter (limited revolution)	●	●
IP class	IP 44	IP 44
Control Features		
Mains power control	●	●
SG Control L (external receiver required)	●	●
SG Control R (external receiver required)	●	●
Suitable for most major home automation systems (with suitable interface)	●	●

B. MOTOR SPECIFICATIONS

Motors	Voltage	Current	Frequency	Speed
SG 8605	230 V AC	0.65 A	50 Hz	17 rpm
SG 8627	120 V AC	1.1 A	60 Hz	18 rpm

C. OPERATING METHODS

See catalogue "controls" for details.

Wall Switch



System can be operated by fixed wall switch.

SG Control L



*Various radio hand-held and wall transmitters available.
An external receiver is required.*



Silent Gliss Move App.

SG Control R



*Various radio hand-held and wall transmitters available.
An external receiver is required.*

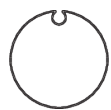
D. WIRING
DIAGRAMS



Refer to Silent Gliss website.

PARTS

A. STANDARD PARTS



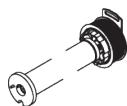
SG 8601

Tube ø 85 mm



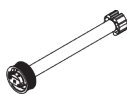
SG 8602

Bottom bar



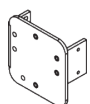
SG 8604

Spring long



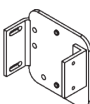
SG 8605

Motor 230V AC, 17/15



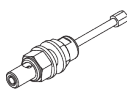
SG 8611

Roller bracket wall left



SG 8612

Roller bracket wall right



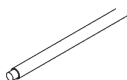
SG 8616

Wire guide set



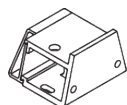
SG 8618

Fabric rod ø 6 mm



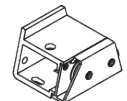
SG 8619

Tension wire ø 1.5 mm



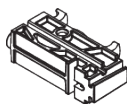
SG 8621

Pulley bracket side/back left



SG 8622

Pulley bracket side/back right



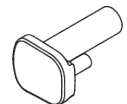
SG 8623

Bottom bar pulley



SG 8624

End cover



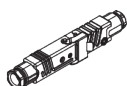
SG 8625

Fabric spacer



SG 8626

Cover strip



SG 9916

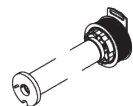
Hirschmann plug set

B. OPTIONAL PARTS



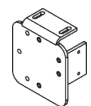
SG 5736

Relay socket



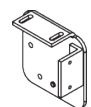
SG 8603

Spring short



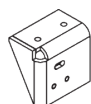
SG 8606

Roller bracket ceiling left



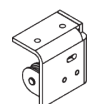
SG 8607

Roller bracket ceiling right



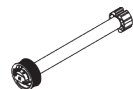
SG 8608

Pulley bracket ceiling left



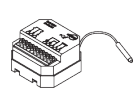
SG 8609

Pulley bracket ceiling right



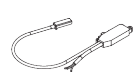
SG 8627

Motor 120V AC, 18/15



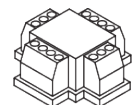
SG 9068

Radio receiver Revio



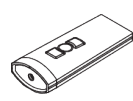
SG 9945

Radio receiver 1 channel



SG 9959

Central control unit relay



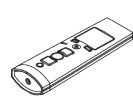
SG 10300

Radio hand held 1 channel



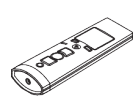
SG 10302

Radio hand held 5+1 channel



SG 10303

Radio hand held 10+2+1 channel



SG 10804

Radio hand held 15+5+1 channel



SG 11480

Radio wall transmitter 1 channel



SG 11490

Radio wall transmitter 5+1 channel



SG 20336

Hand held transmitter 8 channel



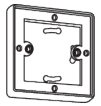
SG 20913

Wall switch single channel



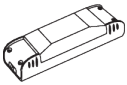
SG 20914

Wall switch 8 channel



SG 20917

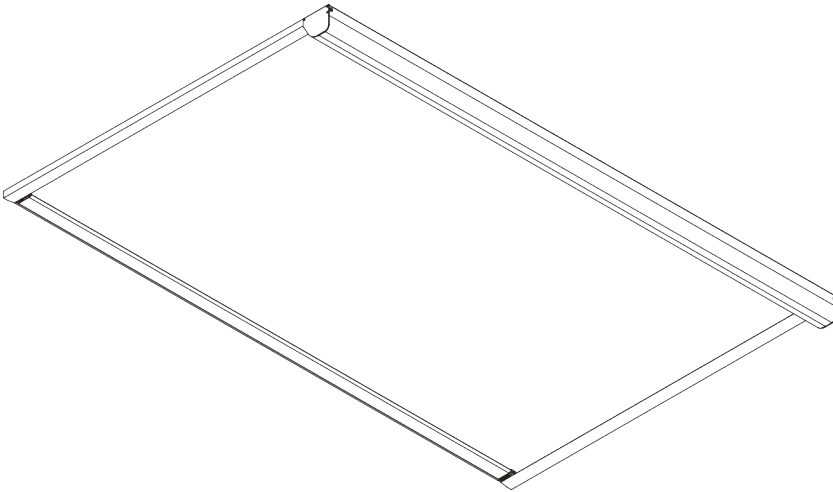
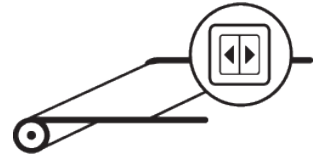
Pattress box



SG 20919

Control module motor type R

SG 8640



PRODUCT INFORMATION

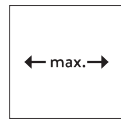
- **Operation:** motorised
- **Range:** S - L
- **Fitting:** ceiling, wall, recess
- **Colours:** white RAL 9016, special colours possible
- **Fabrics:** refer to Silent Gliss fabric collection

Features:

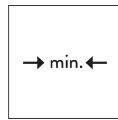
- Tensioned roller blind
- Various control options
- Any angle
- Fabric zip technology
- Dim Out with appropriate fabric selection

SYSTEM SPECIFICATIONS

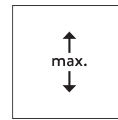
A. SYSTEM DIMENSIONS



3 m



65 cm



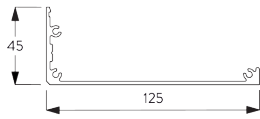
Headbox S / M: 3 m
Headbox L: 4.5 m



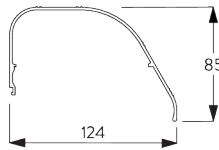
Headbox S / M: 9 m²
Headbox L:
13 m² / 11 m²

B. PROFILE

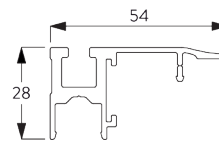
Profile information



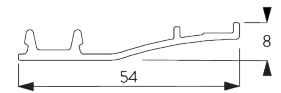
SG 8641
Box case S/M 105x125 mm



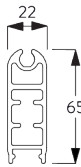
SG 8642
Box cover S/M 105x125 mm



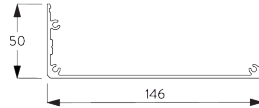
SG 8643
Side guide case inside fitting



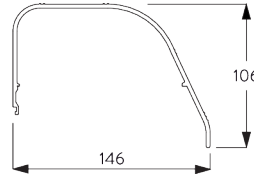
SG 8644
Side guide cover



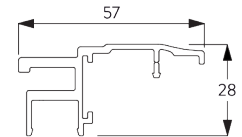
SG 8645
Bottom bar



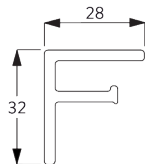
SG 8661
Box case L 126x146 mm



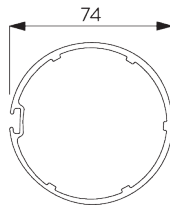
SG 8662
Box cover L 126x146 mm



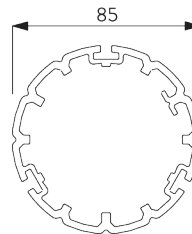
SG 8663
Side guide case inside fitting



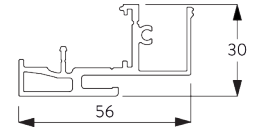
SG 8664
Side guide profile inside fitting



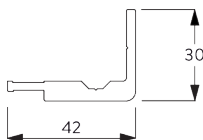
SG 8665
Tube ø 74 mm



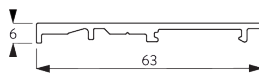
SG 8666
Tube L ø 85 mm



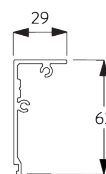
SG 8672
Side guide case



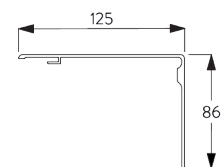
SG 8673
Concealed side guide profile



SG 8674
Concealed side guide cover

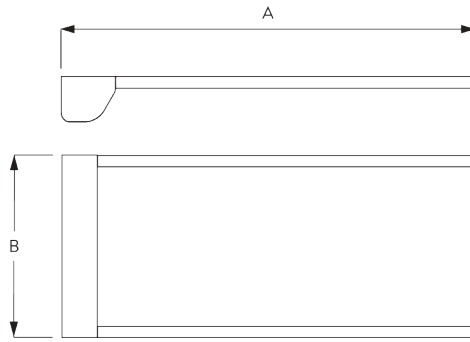


SG 8677
Concealed box cover 105x125 mm



SG 8678
Concealed box cover lid 105x125 mm

**C. HOW TO
MEASURE**



A: System length
B: System width

**D. SPECIFICATION
TEXT**

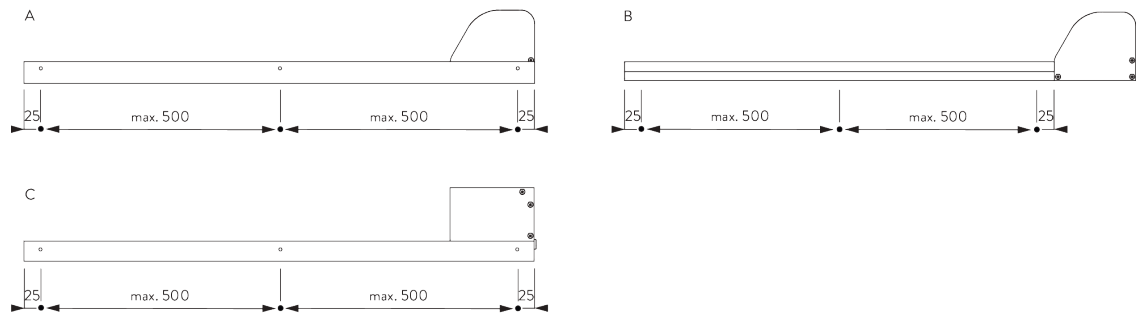
Silent Gliss SG 8640 Electrically Operated Tensioned Dimout / Solar Screening Roller Blind System. Supplied made to measure and complete comprising (key components) motor SG 8657 / SG 8658, zip profile SG 8659 - System S/M - box cover SG 8642, box case SG 8641, aluminium tube SG 8665 / System L - box cover SG 8662, box case SG 8661, aluminium tube SG 8666. Inside fix - side guide case SG 8663, side guide profile SG 8664. Face fix - side guide case SG 8643, side guide cover SG 8644. Concealed recess fix option with box covers SG 8677, SG 8678 side guide case SG 8672, side guide profile SG 8673 and side guide cover SG 8674. Controlled via fixed switch / third party control system subject to suitable interface by others / SG Control L / SG Control R with external receiver. All radio control components supplied at additional cost. All wiring to be strictly in accordance with Silent Gliss wiring diagrams. Fabric to be chosen from the Silent Gliss fabric range, Price Group 1 / price group 2.

FITTING

**A. FITTING
INFORMATION**

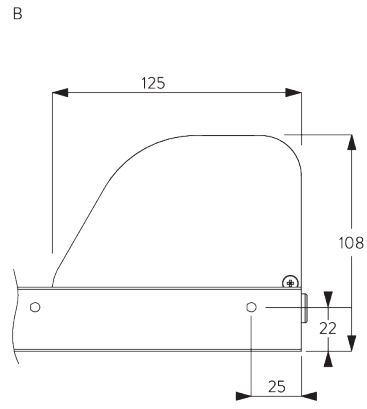
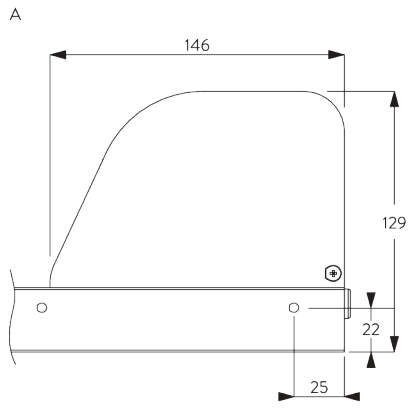
For detailed fitting information, visit the Silent Gliss website.

Fixing points



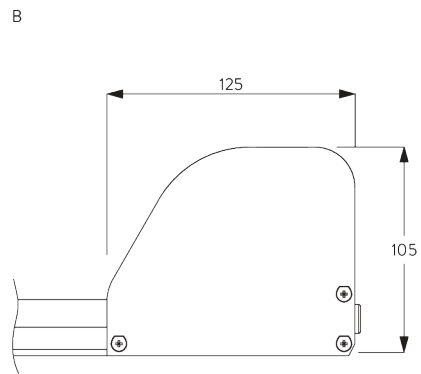
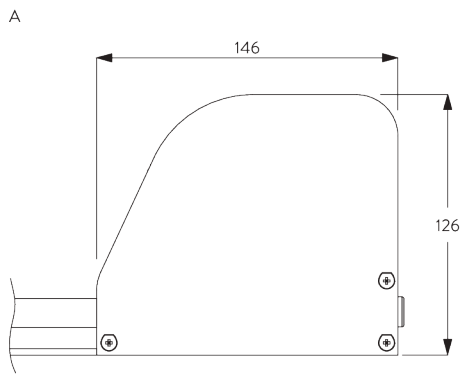
A: Inside recess fitting
B: Face fitting
C: Concealed recess fitting

Headbox dimensions



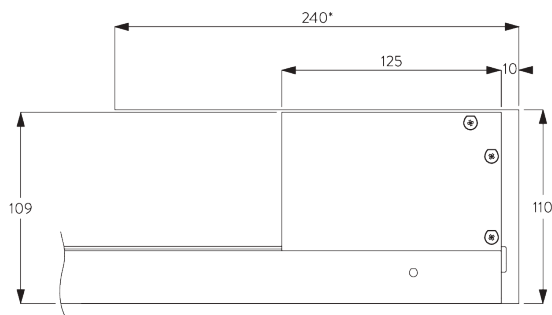
Inside recess fitting

A: Headbox L
B: Headbox S / M



Face fitting

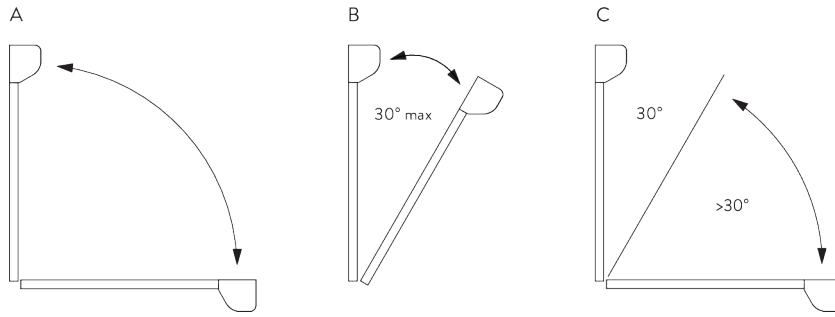
A: Headbox L
B: Headbox S / M



Concealed recess fitting
Concealed recess headbox

**recess depth required to fully conceal hem bar when retracted!*

Fitting angles



A: Headbox S / M:

3 m wide x 3 m draw / 9 m² any angle

B: Headbox L:

3 m wide x 4.5 m draw /

13 m² no greater than 30° from vertical

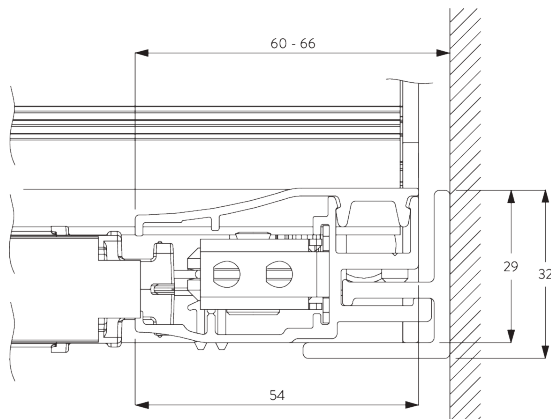
C: Headbox L:

Max. 2.5 m wide x 4.5 m draw /

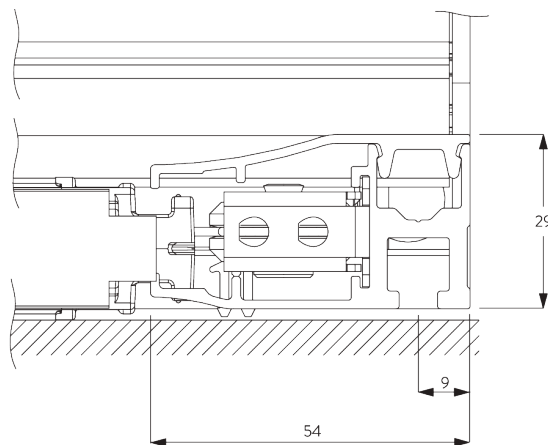
11 m² greater than 30° from vertical

Concealed recess option max. 3 m wide x 3 m draw any angle.

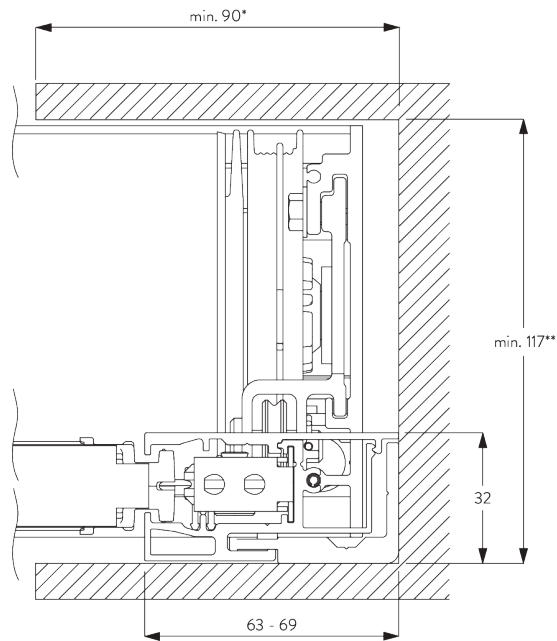
B. INSIDE RECESS FITTING



C. FACE FITTING



**D. CONCEALED
RECESS FITTING**



*recess depth required to fully conceal hem bar end caps
**min. 125 mm if head box lid is used

MOTOR & CONTROLS

**A. MOTOR
FEATURES**

Motor	SG 8657 / SG 8658
Motor Features	
Soft start / stop	●
Electronic end-stop	●
Electronic revolution counter (unlimited revolution)	●
Cable connectable with plug into motor	●
IP class	IP 30
Control Features	
Mains power control	●
SG Control L (external receiver required)	●
SG Control R (external receiver required)	●
Suitable for most major home automation systems (with suitable interface)	●

**B. MOTOR
SPECIFICATIONS**

Motor	Voltage	Current	Frequency	Speed
SG 8657 / SG 8658	100-240 V AC	0.8 A	50 / 60 Hz	12 rpm

**C. OPERATING
METHODS**

See catalogue "controls" for details.

Wall Switch



System can be operated by fixed wall switch.

SG Control L



Various radio hand-held and wall transmitters available.
An external receiver is required.



Silent Gliss Move App.

SG Control R



Various radio hand-held and wall transmitters available.
An external receiver is required.

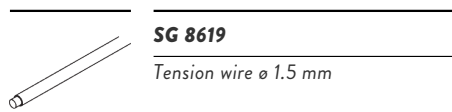
**D. WIRING
DIAGRAMS**



Refer to the Silent Gliss website.

PARTS

A. STANDARD PARTS



SG 8619

Tension wire \varnothing 1.5 mm



SG 8641

Box case S/M 105x125 mm



SG 8642

Box cover S/M 105x125 mm



SG 8643

Side guide case inside fitting



SG 8644

Side guide cover



SG 8645

Bottom bar



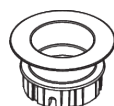
SG 8646

Cable spool left



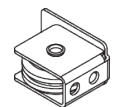
SG 8647

Cable spool right



SG 8648

Tube adapter



SG 8649

Pulley



SG 8656

Spring



SG 8657

Motor kit



SG 8659

Zip profile



SG 8665

Tube \varnothing 74 mm



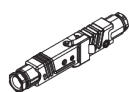
SG 8667

End cover left S/M 105x125 mm



SG 8668

End cover right S/M 105x125 mm



SG 9916

Hirschmann plug set

B. OPTIONAL PARTS



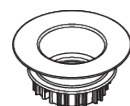
SG 8651

Cable spool left L



SG 8652

Cable spool right L



SG 8653

Tube adapter L



SG 8658

Motor kit L



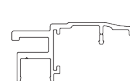
SG 8661

Box case L 126x146 mm



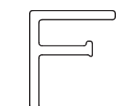
SG 8662

Box cover L 126x146 mm



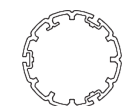
SG 8663

Side guide case inside fitting



SG 8664

Side guide profile inside fitting



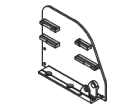
SG 8666

Tube L \varnothing 85 mm



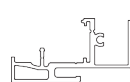
SG 8669

End cover left L 126x146 mm



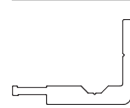
SG 8671

End cover right L 126x146 mm



SG 8672

Side guide case



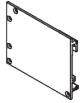

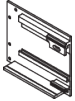

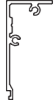
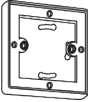

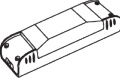
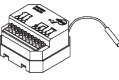




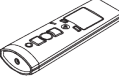




SG 8673

Concealed side guide profile



SG 8674

Concealed side guide cover

	SG 8675 Concealed end cover left 105x125 mm		SG 20913 Wall switch single channel
	SG 8676 Concealed end cover right 105x125 mm		SG 20914 Wall switch 8 channel
	SG 8677 Concealed box cover 105x125 mm		SG 20917 Pattress box
	SG 8678 Concealed box cover lid 105x125 mm		SG 20919 Control module motor type R
	SG 9068 Radio receiver Revio		
	SG 9945 Radio receiver 1 channel		
	SG 9959 Central control unit relay		
	SG 10300 Radio hand held 1 channel		
	SG 10302 Radio hand held 5+1 channel		
	SG 10303 Radio hand held 10+2+1 channel		
	SG 10804 Radio hand held 15+5+1 channel		
	SG 11480 Radio wall transmitter 1 channel		
	SG 11490 Radio wall transmitter 5+1 channel		
	SG 20336 Hand held transmitter 8 channel		

The Architects of Silence

Silent Gliss is the leading global supplier of premium interior window treatments. Since 1952 we have been tirelessly committed to the development of the world's smoothest, quietest systems using state of the art technology.

Driven by customer needs, Silent Gliss offers functional and durable products. Expert technical advice coupled with installation and support services complete the offer. Silent Gliss stands for innovative, sustainable, tailor made solutions, exceptional design and first-class quality.

Silent Gliss Ltd.

Pyramid Business Park
Poorhole Lane, Broadstairs
Kent CT10 2PT
United Kingdom
T +44 1843 863571
F +44 1843 864503
info@silentgliss.co.uk

Silent Gliss Global Ltd.

Pyramid Business Park
Poorhole Lane, Broadstairs
Kent CT10 2PT
United Kingdom
T +44 1843 874250
F +44 1843 864503
info@silentglissglobal.com

Silent Gliss Blinds Trading LLC

Office 1906
The H Hotel Complex
Trade Center First
Dubai
United Arab Emirates
T +971 4 7050318
info@silentgliss.ae

silentgliss.co.uk
silentglissglobal.com
silentgliss.ae